



KTS-MW2-12V-WL / B

HIGH BAY MICROWAVE OCCUPANCY SENSOR

DESCRIPTION

High Bay Microwave Occupancy Sensor | For Use with Round High Bay Gen1 Fixtures



INPUT VOLTAGE: 12–24Vdc ± 1V
MICROWAVE FREQUENCY: 5.8 GHz ± 75MHz
OUTPUT VOLTAGE: 0–10Vdc
TRANSMIT POWER: 1mW max.
DIMMING: Preset standby levels
WARRANTY: 5 Years



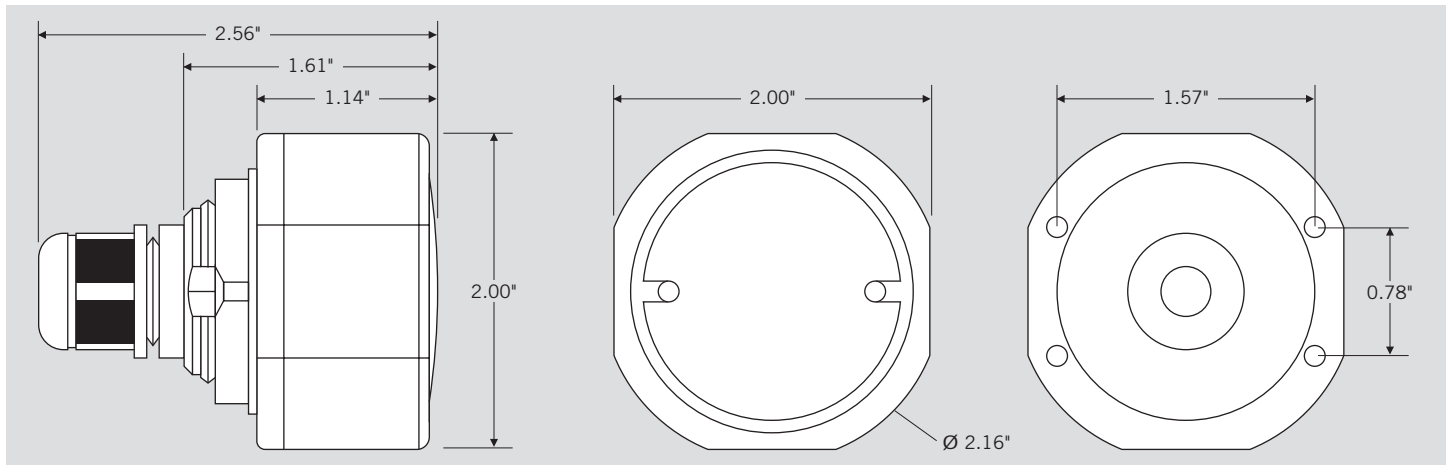
PRODUCT FEATURES

- On/Off with preset hold time
- Preset standby time
- Preset standby dim level
- Settings can be customized at factory, upon request
- Operating temperature range –31°F/–35°C to 131°F/55°C

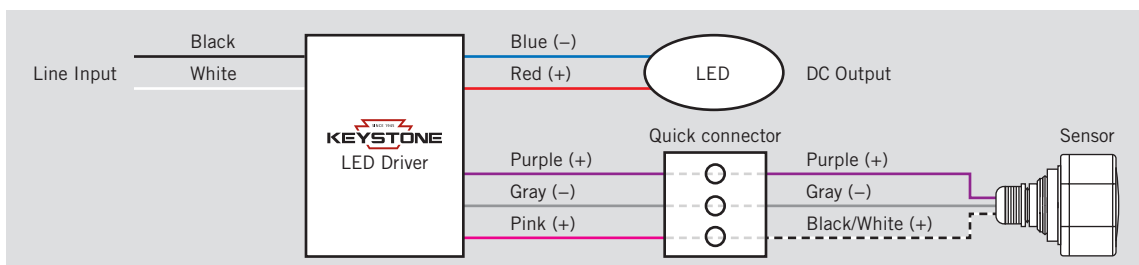
PERFORMANCE SPECIFICATIONS

Catalog Number	Operating Frequency	Input Voltage	Output Voltage	Transmit Power	Detection Angle	Max Mounting Height	Detection Radius	Preset Standby Time	Preset Hold Time
KTS-MW2-12V-WL / B	5.8GHz	12–24Vdc	0–10V	1mW	150° (wall-mount) 360° (ceiling-mount)	49 ft	16.4–23.0 ft (mounted at 26.2 ft)	10 min. at 10% dimming	5 min.

PHYSICAL SPECIFICATIONS



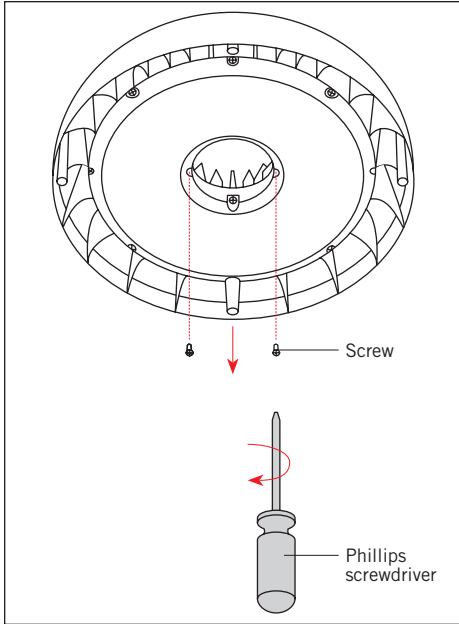
WIRING DIAGRAM



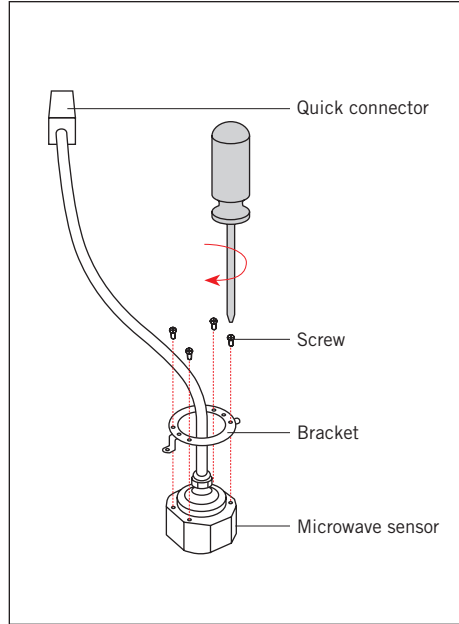
KTS-MW2-12V-WL / B

HIGH BAY MICROWAVE OCCUPANCY SENSOR

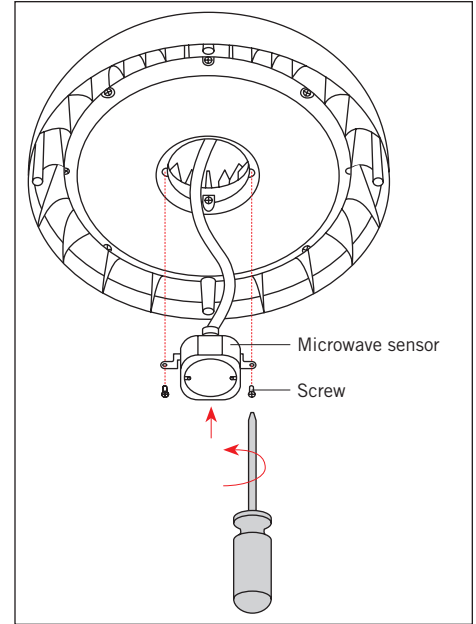
INSTALLATION



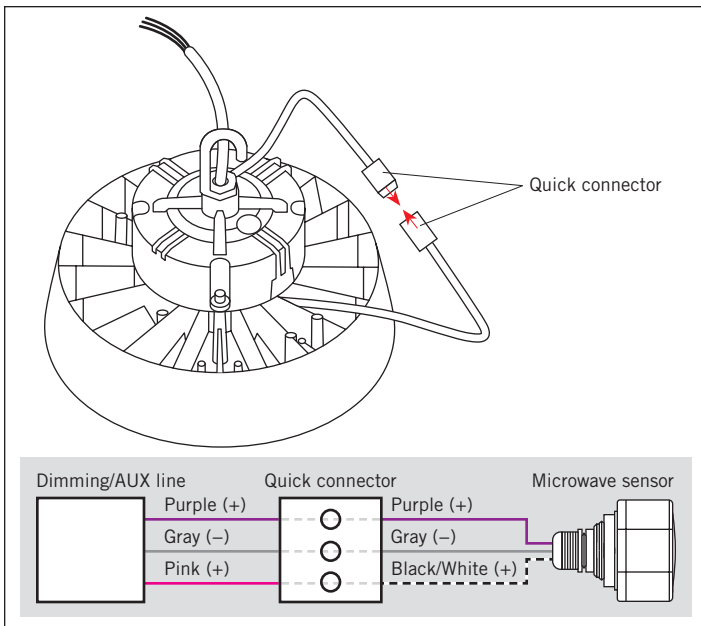
1. On the bottom of the round high bay fixture, unscrew the two diagonal screws and remove the bracket from the fixture.



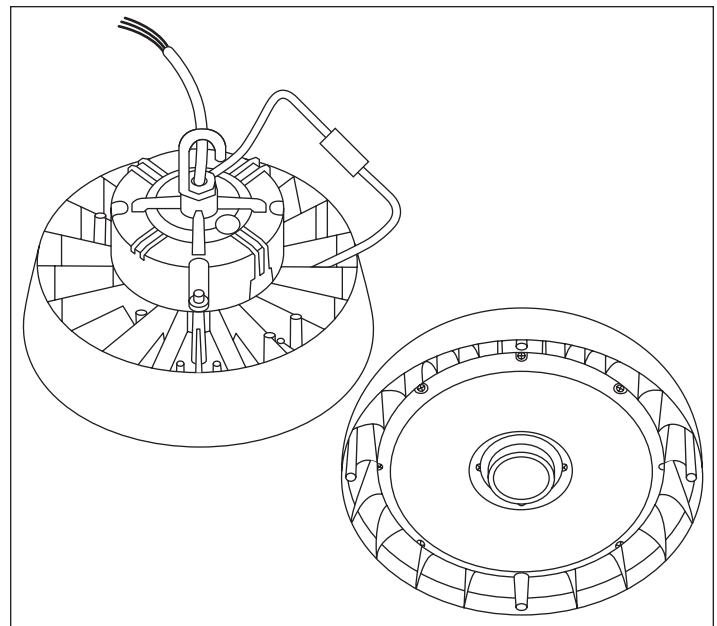
2. Pass the input line of the microwave sensor through the fixture bracket and then attach the bracket to the microwave sensor using the four supplied screws.



3. Insert the input line of the microwave sensor through the bottom of the round high bay fixture and attach the bracket to the bottom of the fixture with the two diagonal screws.



4. On the top of the round high bay fixture, connect the input line of the microwave sensor to the driver dimming/AUX line via the included quick connector (see diagram).
Note: Connection is not waterproof.



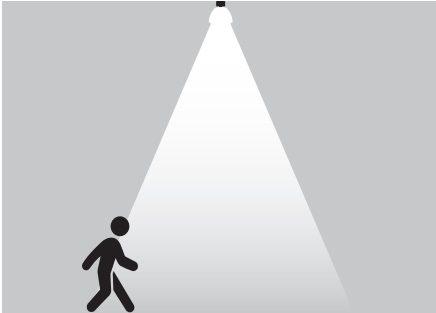
5. The installation of the microwave sensor is completed.



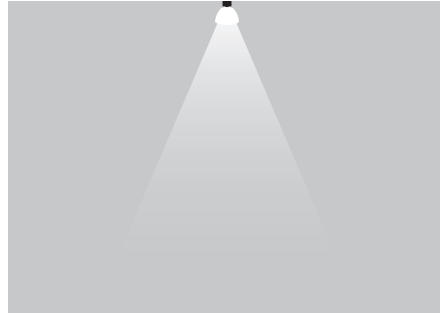
KTS-MW2-12V-WL / B

HIGH BAY MICROWAVE OCCUPANCY SENSOR

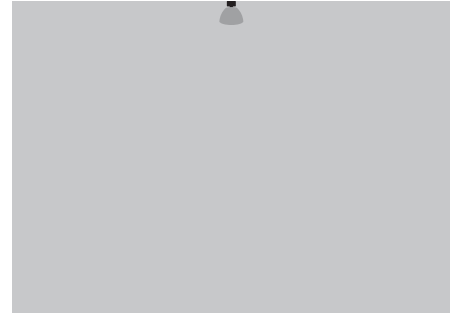
FUNCTION



When motion is detected, lighting will turn on and remain at 100% brightness until motion is no longer detected for duration of hold time.



If no further motion is detected after duration of hold time, lighting will dim and remain at 30% brightness for duration of standby time.



If no further motion is detected after duration of standby time, lighting will turn off.

SENSITIVITY RANGE

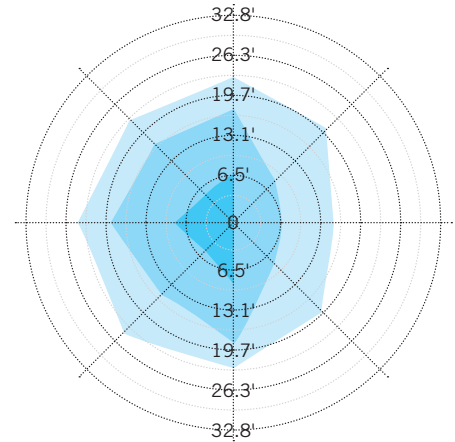
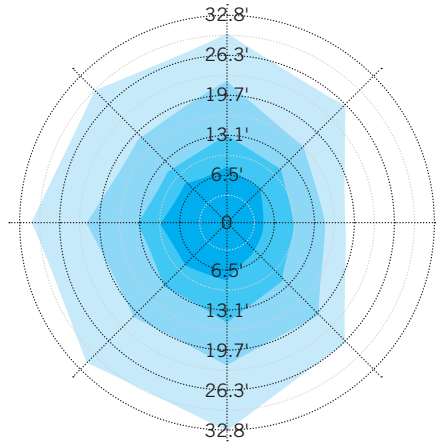
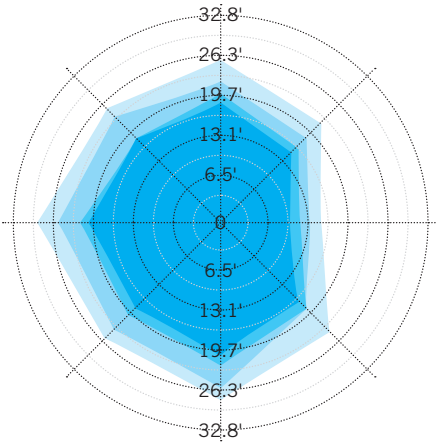
CEILING MOUNT (Top View)

100% 75% 50% 25%

Mounting height	9.84 ft
Normal movement	3.28 ft/sec
Sensitivity	100%, 75%, 50%, 25%

Mounting height	39.37 ft
Normal movement	3.28 ft/sec
Sensitivity	100%, 75%, 50%, 25%

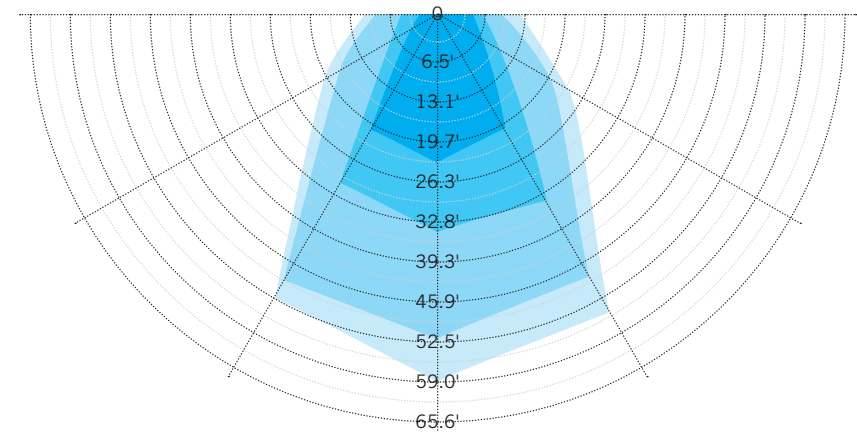
Mounting height	49.21 ft
Normal movement	3.28 ft/sec
Sensitivity	100%, 75%, 50%



WALL MOUNT (Top View)

100% 75% 50% 25%

Mounting height	6.56 ft
Normal movement	3.28 ft/sec
Sensitivity	100%, 75%, 50%, 25%





KTS-MW2-12V-WL /B

HIGH BAY MICROWAVE OCCUPANCY SENSOR

ORDERING INFORMATION

ORDER CODE	DESCRIPTION	PACKAGING STYLE	PACK QUANTITY	ITEM STATUS
KTS-MW2-12V-WL /B-CP	High Bay Microwave Occupancy Sensor	Carton Pack	TBD	Quick Ship

ALTERNATE SENSOR SETTING OPTIONS

Symbol	Remarks
 Detection Area	Setup detection area 25% / 50% / 75% / 100%
 Stand-by dim level	Setup stand-by dim level: 10% / 20% / 30% / 50%
 Hold time	Setup hold time: 5s / 30s / 1min / 3min / 5min 10min / 20min / 30min
 Stand-by period	Setup stand-by time: 0s / 10s / 1min / 3min 5min / 10min / 30min / +∞
 Daylight sensor	Setup daylight threshold: 5Lux / 15Lux / 30Lux / 50Lux 100Lux / 150Lux / Disable

NOTE: Adjustable in field via remote control (KTS-MW2-REMOTECONTROL) or custom presets at factory. Contact Keystone for options.

CATALOG NUMBER BREAKDOWN

KTS-MW2-12V-WL /B-CP

1

2

3

4

5

6

- 1 Keystone Technologies Sensor
- 2 Microwave Sensor Form Factor
- 3 Input Voltage— 12V
- 4 Termination Style— Wire Leads
- 5 Preset Configuration Style
- 6 Packaging Style— Carton Pack